

The DECKING COLLECTION

by accoya 



Installation Guide

FOR ACCOYA DECKING PRODUCTS

Follow these instructions carefully to ensure best outcome and compliance to the Accoya warranty. The instructions are intended as supplemental to local and national building regulations which always take precedence in the event of deviations or contradictions.

For further information, please contact your Accoya distributor's representative and/or visit www.accoya.com.

These instructions apply to all Accoya Decking Collection products.

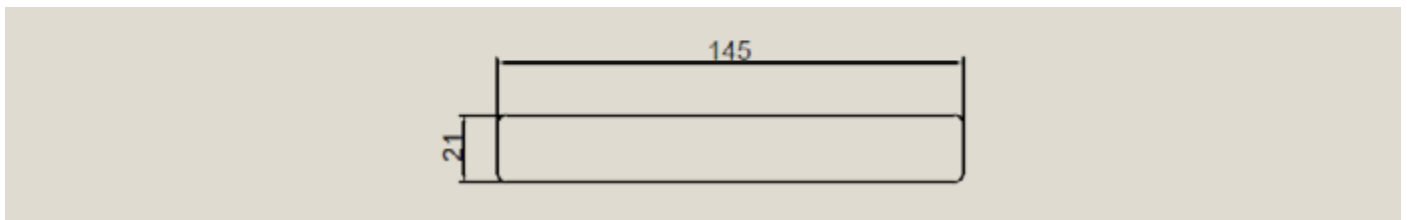
1. PLANNING & PREPARATION

Accoya wood is dimensionally stable wood. However, it is just one component of the overall deck construction and expansion gaps need to be considered for the installation.

Accoya wood can be cut with conventional wood working tools. Best results are achieved when using saw blades with 60 or more teeth. No end treatment of cut boards is required.

For direct fixing of un-grooved Accoya deck boards only use stainless steel screws with at least 304 grade for general applications and 316 grade qualities for coastal exposure.

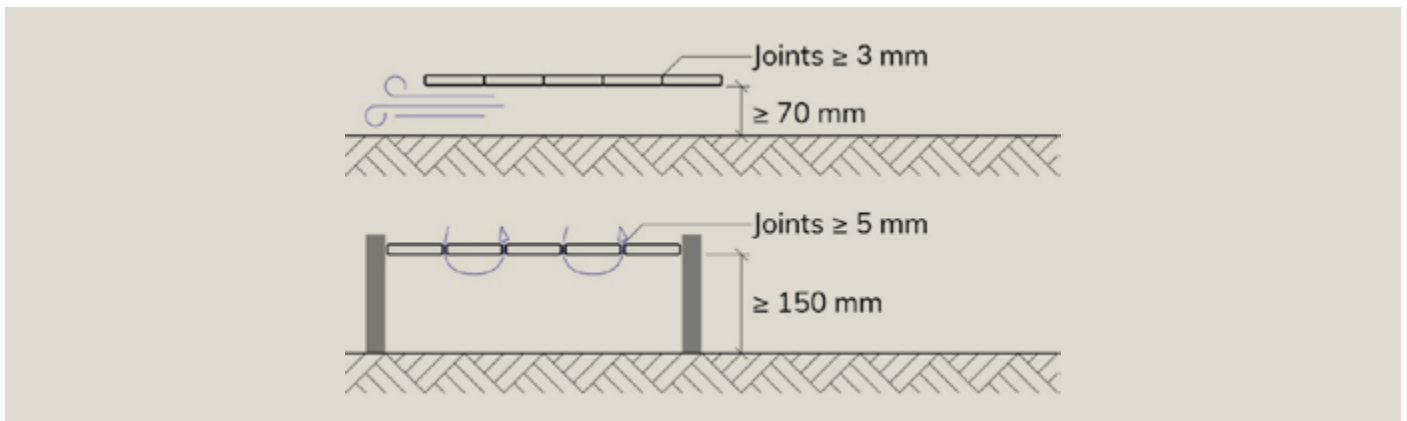
Note that Accoya is corrosive to steel and galvanized steel.



2. VENTILATION, SLOPE & DRAINAGE

2.1 Ensure that there is sufficient airflow around the deck. Accoya deck boards perform best when installed properly on a suitable frame and in a ventilation system characterised by continuous ventilation beneath the decking boards. Design for an open airflow height of ≥ 70 mm above the ground.

If the deck is fully enclosed, make sure that the boards are installed with at least 5mm gaps to each other and with at least 150mm to the ground.



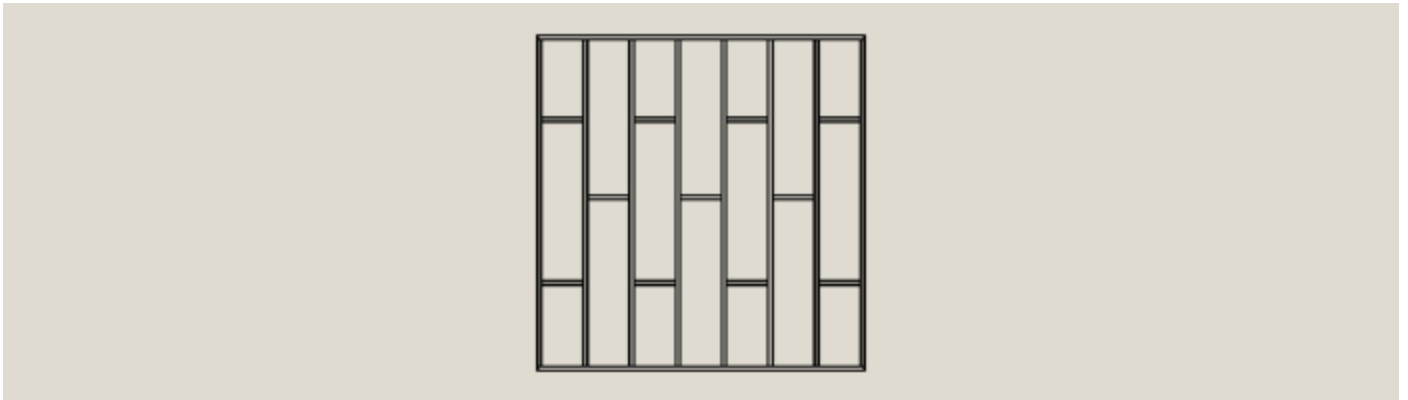
Leave a gap of 25 mm to other construction elements, such as house walls. This is to ensure compliance with Australian standards for termite management having an adequate inspection zone between the structure and the other construction elements.

2.2 Install the deck with a slope of at least 1% to ensure rainwater run-off and faster deck drying. In some cases, like areas prone to lots of heavy rain, it may be needed to install drainage grills alongside the house wall (see local building regulations).

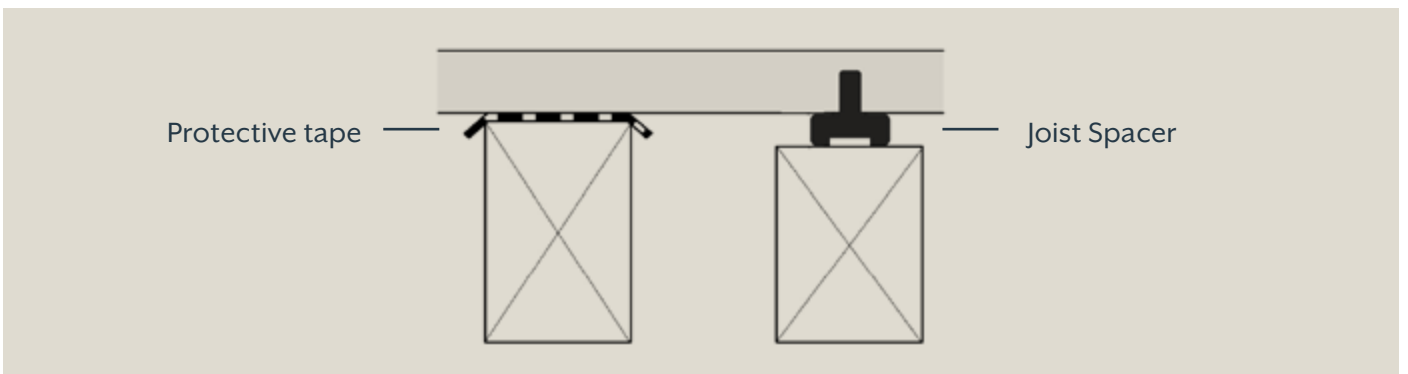
2.3 Ensure that the deck is built on a solid and load bearing ground with good drainage to prevent standing water under the deck for a longer period.

3. SUBSTRUCTURE

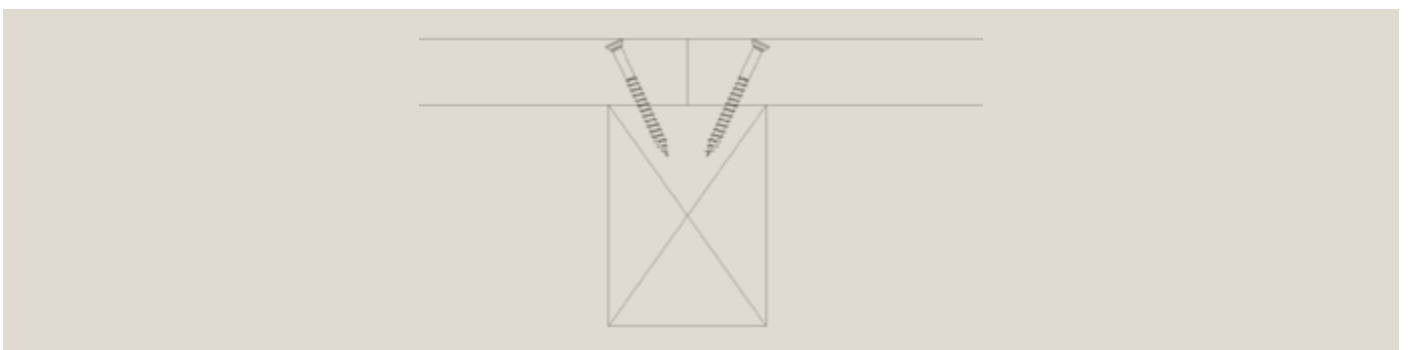
- 3.1** Install Accoya deck boards on a rigid frame built in accordance to Australian Standard Residential timber-framed construction.
- 3.2** Substructure material options include for example Accoya joists, pressure treated wood or aluminium. When using pressure treated or naturally durable wood joists it is highly recommended to use a spacer providing a gap between the deck board and joists or lay a protective tape on the joists to prevent leaching which might lead to staining of the deck boards.



It would be considered best practice to use a decking spacer, as it provides a buffer between the deck boards and joists along with a reduction in the contact surface allowing the decking to dry more quickly.



- 3.3** Each deck board needs to be supported by at least two joists. Where two deck board ends meet (butt joints) please ensure the join is placed in the middle of the joist. To reduce the splitting of the deck boards, screws must be kept a minimum of 20mm from edges and the boards end and holes predrilled.



3.4 For ground level decks, the substructure should be fixed to the ground, e.g. by fixing with bolts into concrete. Where this is not possible, e.g. roof terraces or balconies, the substructure must be built as a rigid floating frame.

3.5 Raised decks can be built by e.g. using adjustable pedestals below the substructure. The substructure must always be built as a rigid, inter-connected frame.

3.6 Allowed joist spacing:

Board profile [mm]	Finish	Joist spacing [mm] - Residential
145 x 21	Dressed Pencil type	400

4. INSPECTION

4.1 Before installing the deck boards it is important to check them for possible defects or damage. Accoya Color Grey deck boards may show colour variations within the boards delivered for the project. In that case it is best to mix boards. Allowable white patches can be cut out or left to fade to a grey colour matching the deck board surface after some time. This process can be accelerated when the deck is exposed to direct sunlight. Fine surface checks are normal in timber decking and may be present in Accoya too. After installation some surface check may appear as it begins to weather. This is a natural phenomenon on Accoya and have no effect on its durability.

If in doubt, please contact your local Accoya dealer before installing.

5. SCREWS

Use stainless steel 304 grade for general applications and 316 grade for coastal exposure.

Only use screws that are specially designed for fastening of deck boards.

Using the correct torque and tool speed (max. 500 RPM) will ensure that the screw head finishes level with the deck board surface.

6. BOARD INSTALLATION

6.1 Direct fixing of deck boards

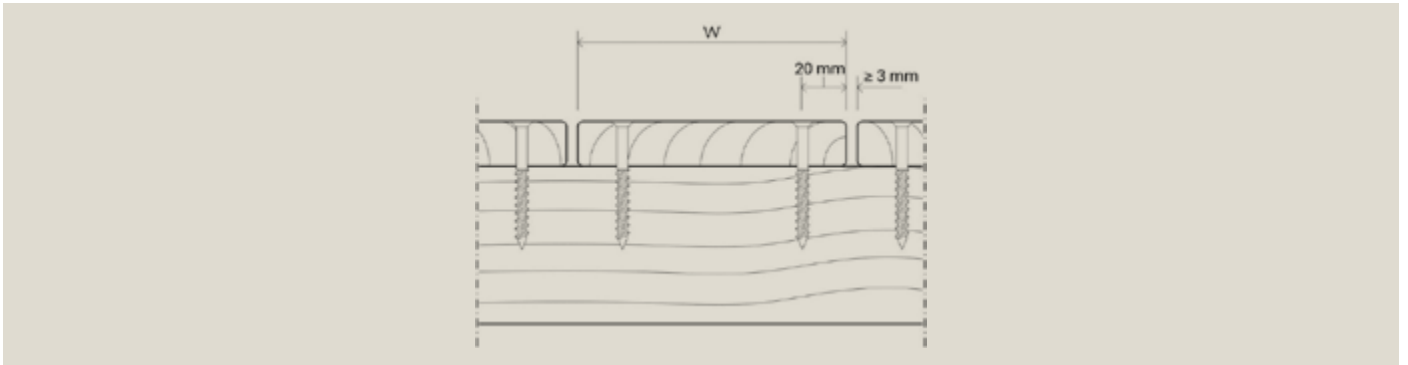
For direct fixing of deck boards always use suitable screws.

Board profile [mm]	Recommended screw dimensions	
	Residential Head- $\varnothing \geq 7$ mm	Residential Head- $\varnothing \geq 10$ mm
145 x 21	5 x 55 mm	6 x 55 mm

To avoid the risk of boards cracking, it is highly recommended to always pre-drill holes using a diameter 1mm smaller than the shank diameter.

Fix the screws at least **20 mm** from the end of the board and **20 mm** from the board edge. The boards must be fixed onto each joist using 2 screws for each joist.

Install the boards with a gap of at least 3 mm for needed expansion.



7. CARE AND MAINTENANCE

It is recommended to perform a first cleaning of the deck after installation.

In normal situations a wooden deck should be cleaned once a year, preferably in spring. More frequent cleaning may be necessary in case permanently shaded areas can't be avoided, e.g. on the south side of a house or in the immediate vicinity of bush or tree cover.

Do not use a high pressure washer to clean Accoya deck boards as it may damage the surface.

For more details please see the Accoya Care & Maintenance Instructions video [here](#).



The DECKING
COLLECTION

by accoya 



GET INSPIRED AT

brittontimbers.com.au/deckingcollection

DISTRIBUTED BY

